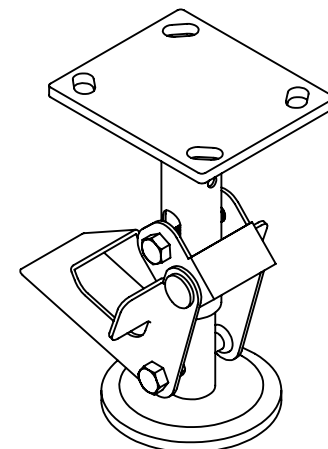
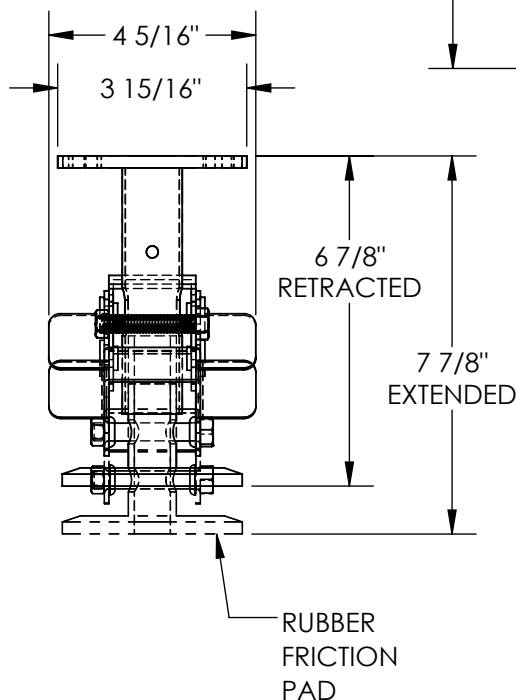
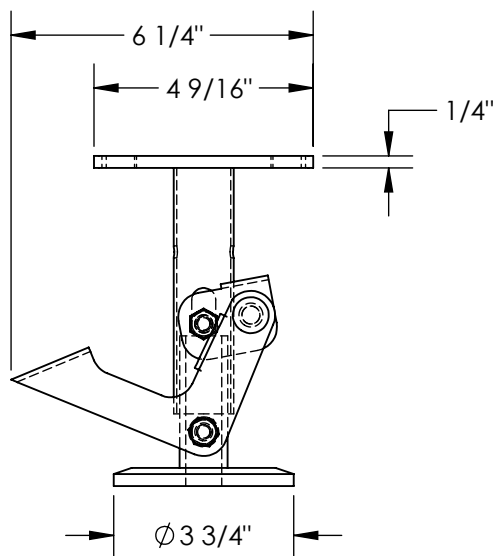
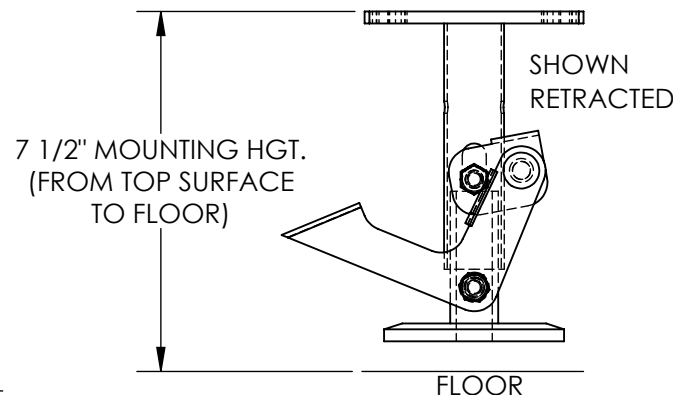
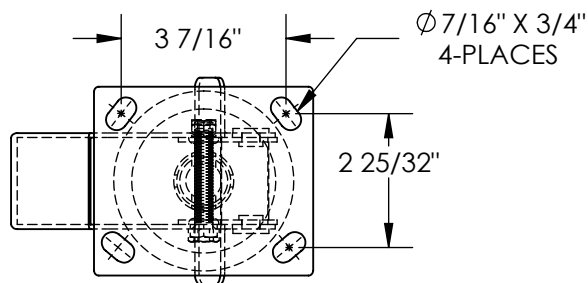


# FLOOR LOCK FOR $\varnothing$ 6 INCH CASTERS - FL-LK-6EM

APPROX WEIGHT: 4 lbs.  
DOES NOT INCLUDE WEIGHT OF POWER OR PACKAGING!!!

\*\*\* ANY ADDITIONS, DELETIONS, OR OMISSIONS MUST BE CORRECTED ON THIS DRAWING AS THIS DRAWING WILL BE CONSIDERED ALL INCLUSIVE \*\*\*

ALL GRAPHICS PROVIDED ARE FOR REFERENCE ONLY. IF CERTAIN DIMENSIONS ARE CRITICAL PLEASE VERIFY THOSE DIMENSIONS WITH YOUR SALESPERSON



DIMENSION TOLERANCE  $\pm 1/4$ "

## STANDARD FEATURES

- MODEL NUMBER IS FL-LK-6EM
- OVERALL WIDTH IS  $4 \frac{5}{16}$ "
- OVERALL LENGTH IS  $6 \frac{1}{4}$ "
- RETRACTED HEIGHT IS  $6 \frac{7}{8}$ "
- EXTENDED HEIGHT IS  $7 \frac{7}{8}$ "
- MOUNTING HEIGHT IS  $7 \frac{1}{2}$ "
- USED WITH  $\varnothing 6$ " CASTER
- MOUNTING HARDWARE IS NOT INCLUDED

## SPECIAL FEATURES

NONE

**APPROVAL**

I, THE UNDERSIGNED, AGREE THAT THE PRODUCT AS REPRESENTED SATISFIES DESIGN AND DIMENSION REQUIREMENTS. I ALSO ACKNOWLEDGE MY DUTY TO CONFIRM PRODUCT AND INSTALLATION COMPLIANCE WITH ALL APPLICABLE FEDERAL, STATE AND LOCAL REGULATIONS AND STANDARDS.

**UNITS REQUIRING APPROVAL DRAWINGS OR MODIFIED ARE NON-RETURNABLE**

As drawn     As marked

Signed: \_\_\_\_\_ Date: \_\_\_\_\_

Printed Name: \_\_\_\_\_

LEAD TIME WILL START UPON RECEIPT OF SIGNED APPROVAL DRAWING

DISTRIBUTOR'S NAME:		P.O.#
VESTIL MANUFACTURING		X
DRAWN BY: JWW	DATE: 2/7/2019	W.O.#
REFERENCE: X	SCALE: 1:4	X
QUOTED LEAD TIME: X	QUOTE #	FILE NAME:
	X	16-007-450